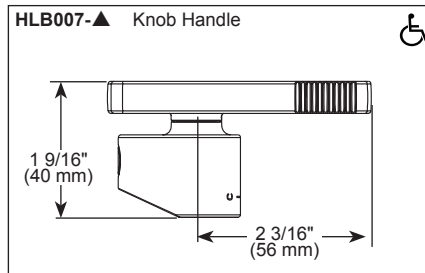
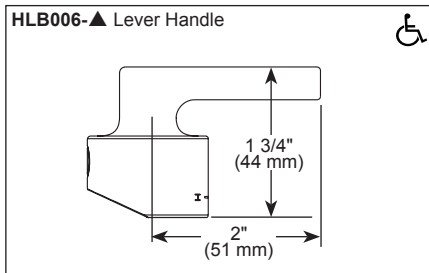
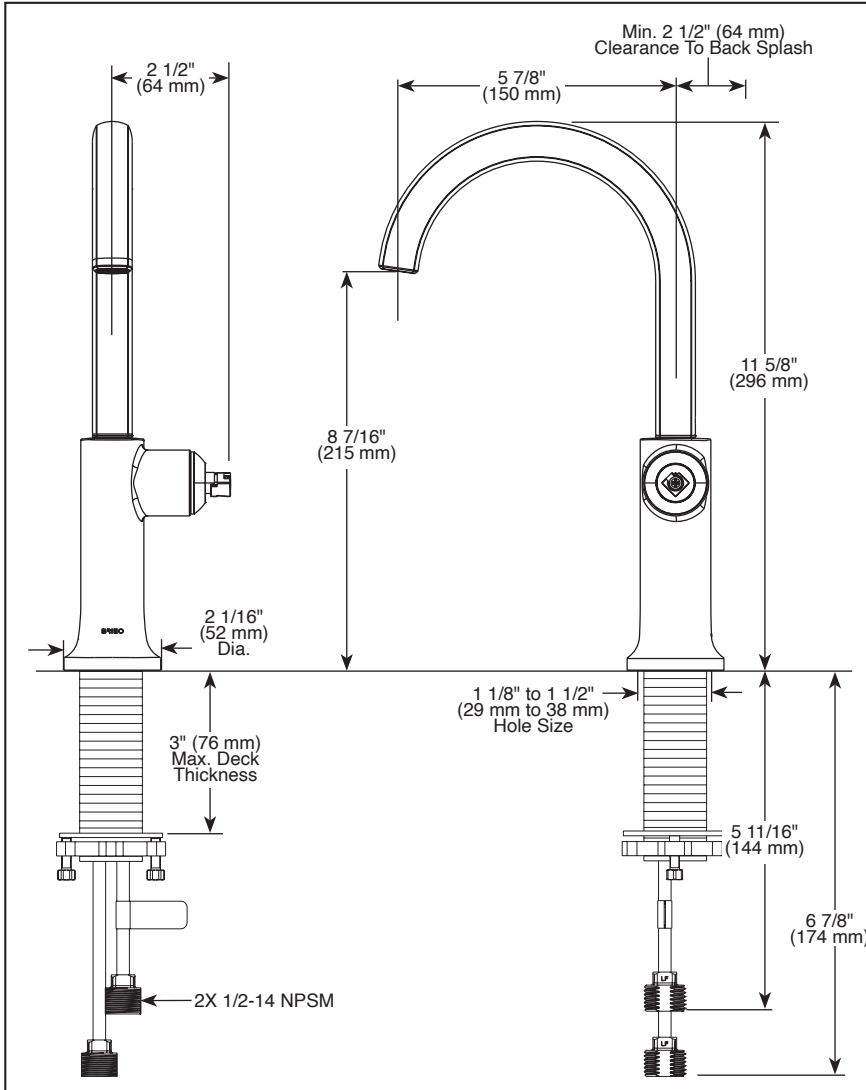


61006LF-▲LHP

Submitted Model No.: _____

Specific Features: _____



▲ Designate proper finish suffix

Brizo Kitchen & Bath Company reserves the right (1) to make changes in specifications and materials, and (2) to change or discontinue models, both without notice or obligation. Dimensions are for reference only. See current full-line price book or www.brizo.com for finish options and product availability.

BSP-K-61006LF-LHP Rev. A

BRIZO®

KITCHEN FAUCETS

- Kinstu® Collection
- Single Handle Bar Faucet

STANDARD SPECIFICATIONS:

- Maximum 1.8 gpm @ 60 psi, 6.8 L/min @ 414 kPa
- One hole mount
- Solid brass fabricated body
- Ceramic disc cartridge
- Spout rotates 360°
- 3/8" staggered copper supply lines with 1/2" adapters
- Handles sold separately. See handle options below

WARRANTY

- Lifetime limited warranty on parts (other than electronic parts and batteries) and finishes: or, for commercial users, for 5 years from date of purchase.
- 5 year limited warranty on electronic parts (other than batteries); or, for commercial users, for 1 year from the date of purchase. No warranty is provided on batteries.

COMPLIES WITH:

- ASME A112.18.1 / CSA B125.1
- ♿ Indicates compliance to ICC/ANSI A117.1

Brizo Kitchen & Bath Company
 55 E. 111th Street, Indianapolis, Indiana 46280
 350 South Edgeware Road, St. Thomas, ON N5P 4L1
 © 2023 Brizo Kitchen & Bath Company